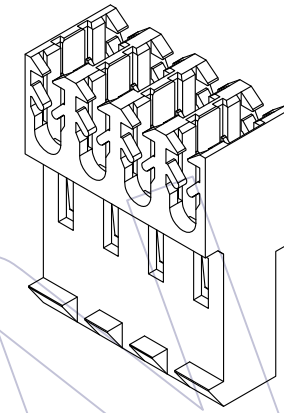
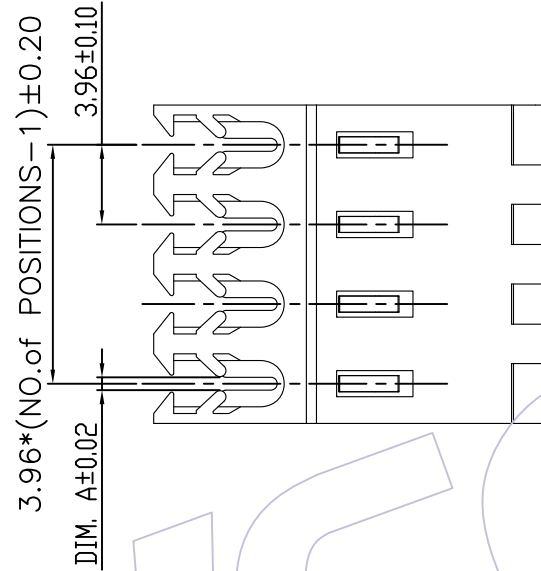


HSF

NOTES:
 Current Rating: 7.0AMP
 Voltage Rating: 600V
 Contact Resistance: 10mΩ Max
 Withstand Voltage: 2200V AC/DC/Minute
 Insulation Resistance: 5000MΩ Min
 Operation Temperature: : -25°C to +85°C

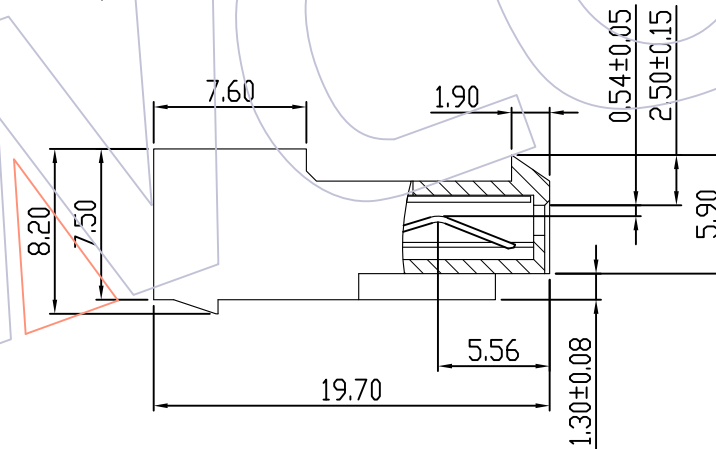
Contact Material: Brass
 Contact plating: Sn over Ni
 Insulator Material: Nylon66 UL94V-2



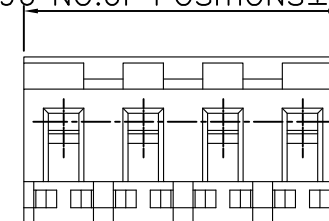
Ordering Information

WF3964B- HI XX T 0 X

No. of Pins T= Transparent
 02: 02 Pin
 03: 03 Pin
 0=Bag
 30: 30 Pin



3.96*NO.of POSITIONS±0.30



料号	Were Size	DIM A
WF3964B-HIXXT05	24 AWG	0.34
WF3964B-HIXXT06	22 AWG	0.48
WF3964B-HIXXT07	20 AWG	0.64
WF3964B-HIXXT08	18 AWG	0.85

REV	DATE	MODIFICATION DESCRIPTION	CHANGE	OPERATION	DRAW TANG.	DATE	SCALE	FIT	PART NO.
AO	2017/08/18	NEW	-----	x.x ±0.40	CHECK	2017/08/18	UNIT mm		WF3964B-HIXXT0X
				x.xx ±0.25	APPROVE		SIZE A4		TITLE:
				x.xxx ±0.15			SHEET 1/1		3.96mm Wafer CONN, IDC Type
				Angle ± 3'			PROJ.		Customer NO.
				DIM TOL					

WCON
 Http: www.wcon.com

WCON-Dongguan
 Tel: +86 769 85358920
 Fax: +86 769 85358915
 E-mail: sales@wcon.com

WCON-Kunshan
 Tel: +86 512 57468408
 Fax: +86 512 57468468
 E-mail: salesks@wcon.com