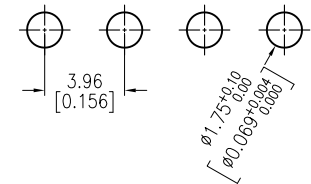
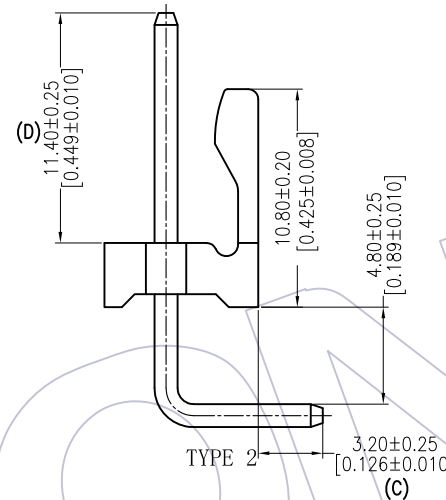
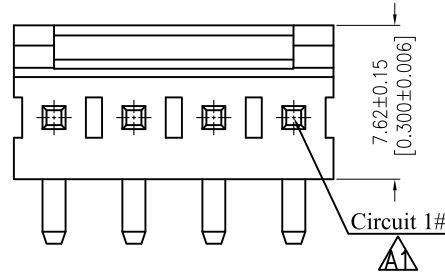


HSF

Recommended P.C.B Layout(Top Side)
(PCB BOARD TOLERANCE±0.05)

NOTES:
 Rated Current:7.0AMP
 Contact Resistance:20mΩ max
 Withstand Voltage:1000V AC/DC
 Insulation Resistance:1000MΩ min
 Operation Temperature:-40℃ to +105℃

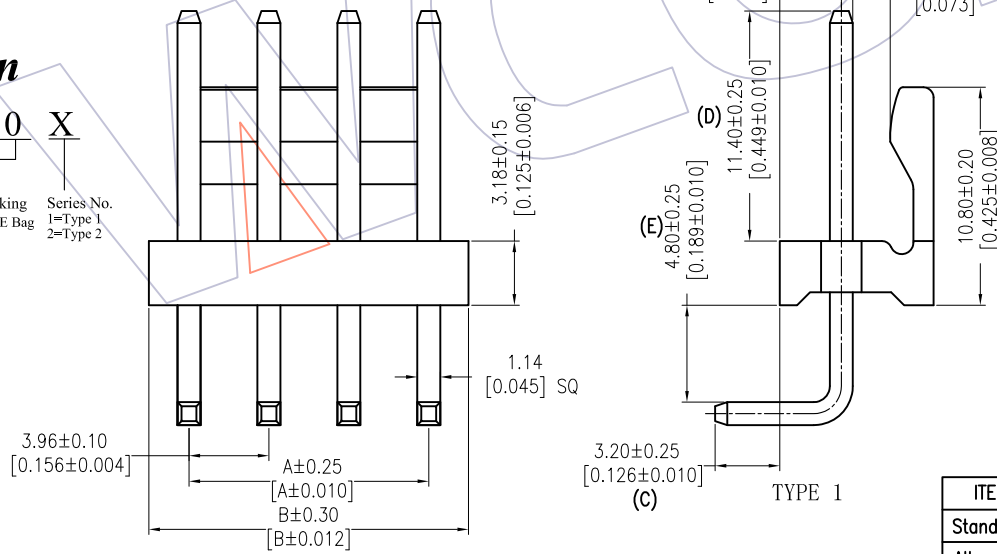
Contact Material:Brass
 Contact plating:Au Or Sn Over Ni
 Insulator Material:PA66 OR PA46 UL94-V0



Ordering Information

WF3967- WR XX X 0 X

No. of Pins: 02-20Pin
 Contact Plating: S0=Gold Flash/Tin, S3=10u" Gold/Tin, S4=15u" Gold/Tin, S5=30u" Gold/Tin, G0=Gold Flash, G3=10u" Gold, G4=15u" Gold, G5=30u" Gold, Blank=Tin
 Color: W= White, B=Black
 Packing: 0=PE Bag
 Series No.: 1=Type 1, 2=Type 2
 H=PA46, Blank=PA66



Specification & Ordering Information:

Circuit	Part No.	Dimension	
		A	B
02	WF3967-WR02X0X	3.96	7.92
03	WF3967-WR03X0X	7.92	11.88
04	WF3967-WR04X0X	11.88	15.84
05	WF3967-WR05X0X	15.84	19.80
06	WF3967-WR06X0X	19.80	23.76
07	WF3967-WR07X0X	23.76	27.72
08	WF3967-WR08X0X	27.72	31.68
09	WF3967-WR09X0X	31.68	35.64
10	WF3967-WR10X0X	35.64	39.60
11	WF3967-WR11X0X	39.60	43.56
12	WF3967-WR12X0X	43.56	47.52
13	WF3967-WR13X0X	47.52	51.48
14	WF3967-WR14X0X	51.48	55.44
15	WF3967-WR15X0X	55.44	59.40
16	WF3967-WR16X0X	59.40	63.36
17	WF3967-WR17X0X	63.36	67.32
18	WF3967-WR18X0X	67.32	71.28
19	WF3967-WR19X0X	71.28	75.24
20	WF3967-WR20X0X	75.24	79.20

ITEM	C	D	E
Standard	3.20	11.40	4.80
Alternate			

REV	DATE	MODIFICATION DESCRIPTION	CHANGE	OPERATION		DRAW	DATE	SCALE	FIT	PART NO.
				X.X	±0.40					
A1	2016. 10. 31	端子第1 PIN位置变更	△	X.XX	±0.25	CHECK	DATE	UNIT	mm	SEE TAB
A0	2012. 09. 17	NEW	----	X.XXX	±0.15			SIZE	A4	TITLE:
				Angle	± 3'	APPROVE	DATE	SHEET	1/1	VH 3.96 WAFER 90° DIP(SQUARE PIN)
				DIM	TOL			PROJ.	◆	Customer NO.

WCON
 Http: www.wcon.com

WCON-Dongguan
 Tel: +86 769 85358920
 Fax: +86 769 85358915
 E-mail: sales@wcon.com

WCON-Kunshan
 Tel: +86 512 57468408
 Fax: +86 512 57468468
 E-mail: salesks@wcon.com